

> Dual flush SKIPPER 45



DESCRIPTION

- Can be installed into plastic or ceramic cisterns
- Push button: dual flush
- Actuation effort below 20 Newton
- For lid holes ranging from 40 to 44mm
- Over flow can be cut in increments of 5mm
- Adjustable small flush from 2l to 4.5l
- High flush rate of 3.5l/s
- Foam pan seal supplied for compensating pan irregularity

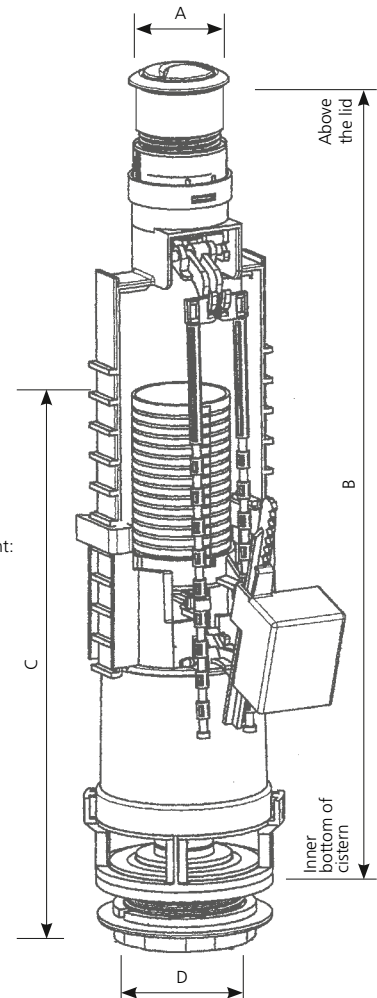


Skipper 45 flush valve available in a pack with the 99B inlet valve

Compatible with:
- Lid hole (A), Ø from 40 to 44mm
- Drainage hole (D) Ø from 72mm

Adjustable height (B)
from 305mm min
to 455 mm max.

Adjustable overflow height:
from 180 to 240mm (C)



TEXT FOR TENDERS:

SKIPPER 45 WRAS NF

Dual flush valve NF and WRAS certified, compact. 10 year guarantee. The stirrup fixes the cistern lid, once the button is screwed down and enables a non-alignment position. Adjustable height from 305 and 455 mm, lid hole from 16 to 50, discharge hole from 58 to 72 mm. Adjustable : small flush, over flow, dead water level.

	Ref.	Barcode	Packing	Packing			Pallet quantity
				Nb	M ³	Kg	
SKIPPER 45	32 4560 10	3 24723 007132 6	Box	14	0.08	7.05	210
SKIPPER 45/99B 1/2P component pack	33 9950 07	3 24723 007142 5	Bag	15	0.08	10.25	225



For more information:
Web: siamp.co.uk